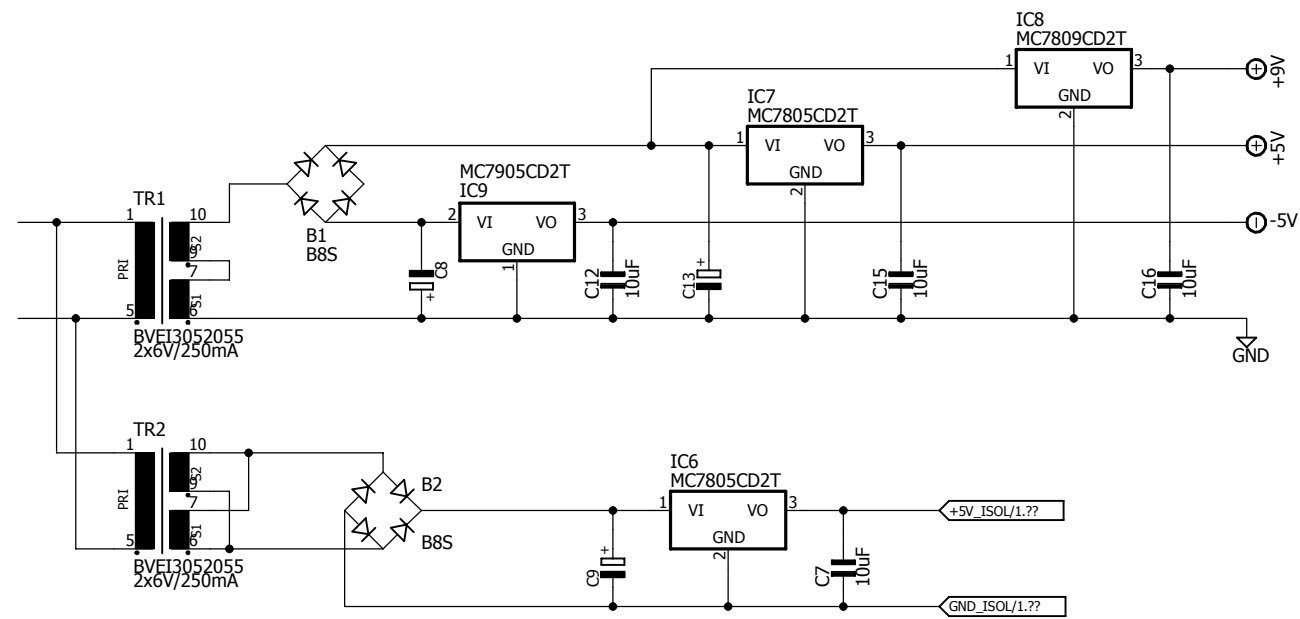


TME
 AR06BTCV2493 Rezistor: thin film; precizny; SMD; 1206; 249kΩ; 0,25W; ±0,1%
 AR06BTCV5601 Rezistor: thin film; precizny; SMD; 1206; 5,6kΩ; 0,25W; ±0,1%
 LRP2512-R100-1% Rezistor: power metal; meraci; SMD; 2512; 100mΩ; 3W; ±1%; ±50ppm/C



Gumene nohy TME FIX-PT005