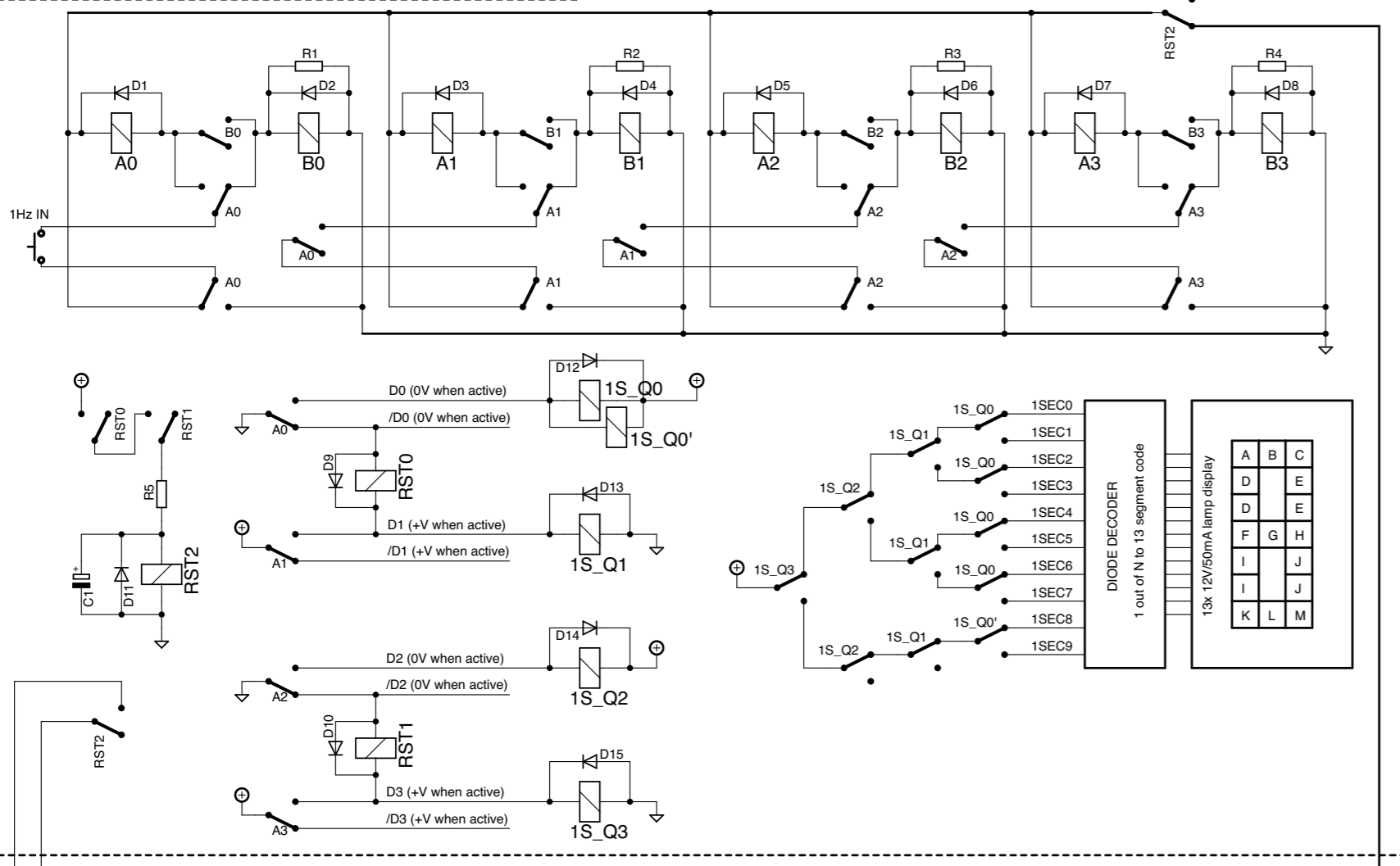
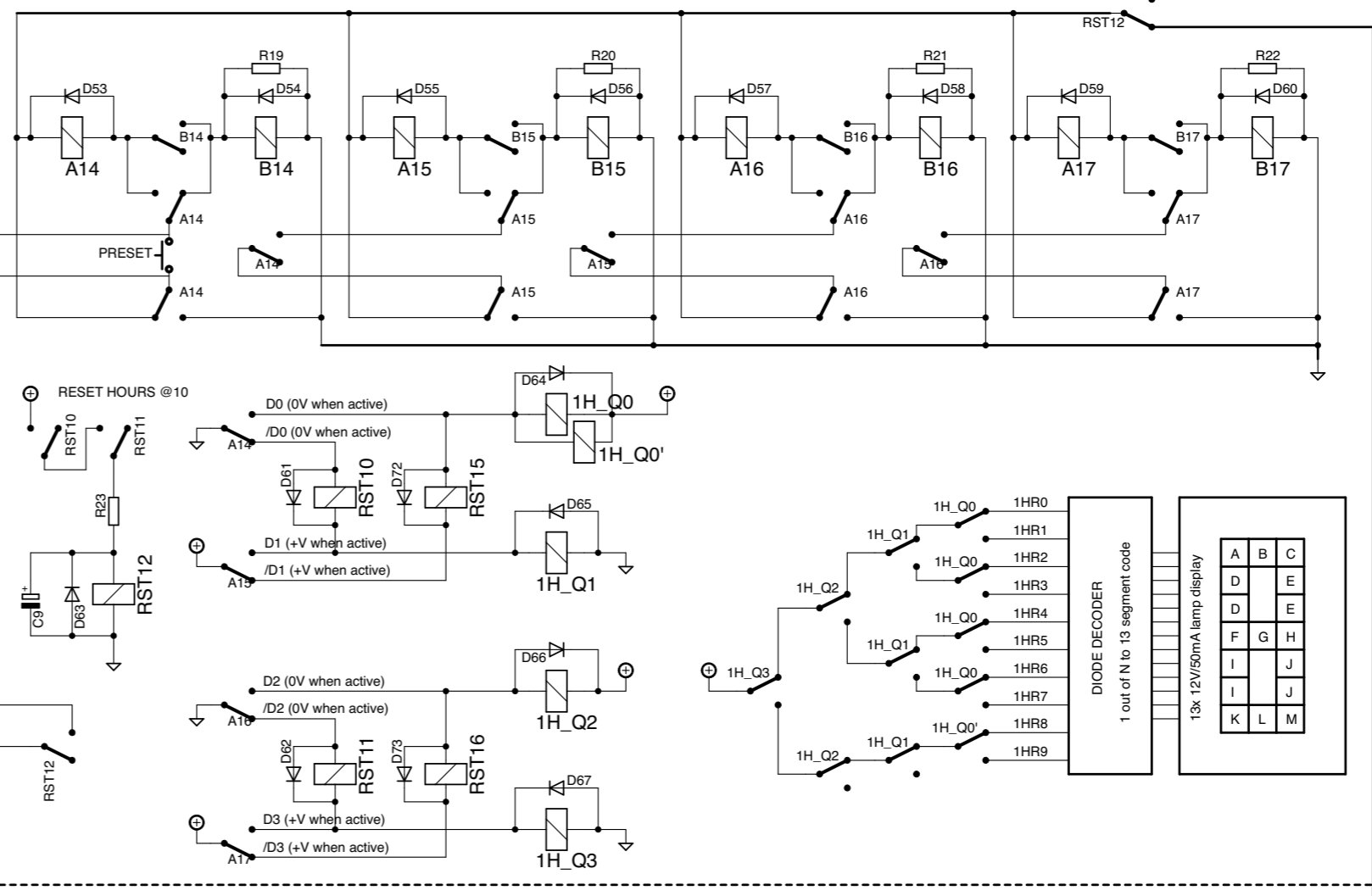


CLOCK BLOCK

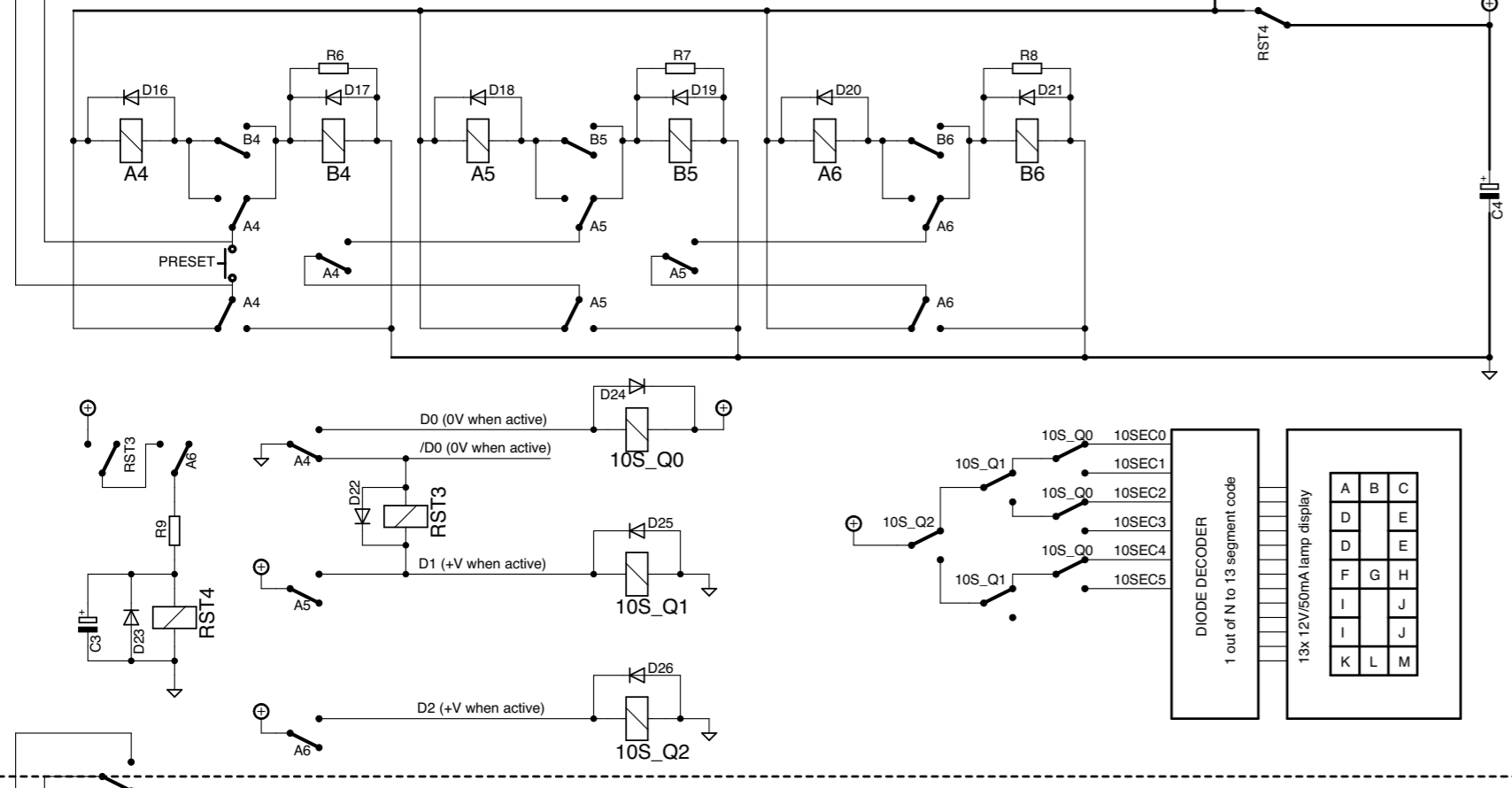
SECONDS (ones)



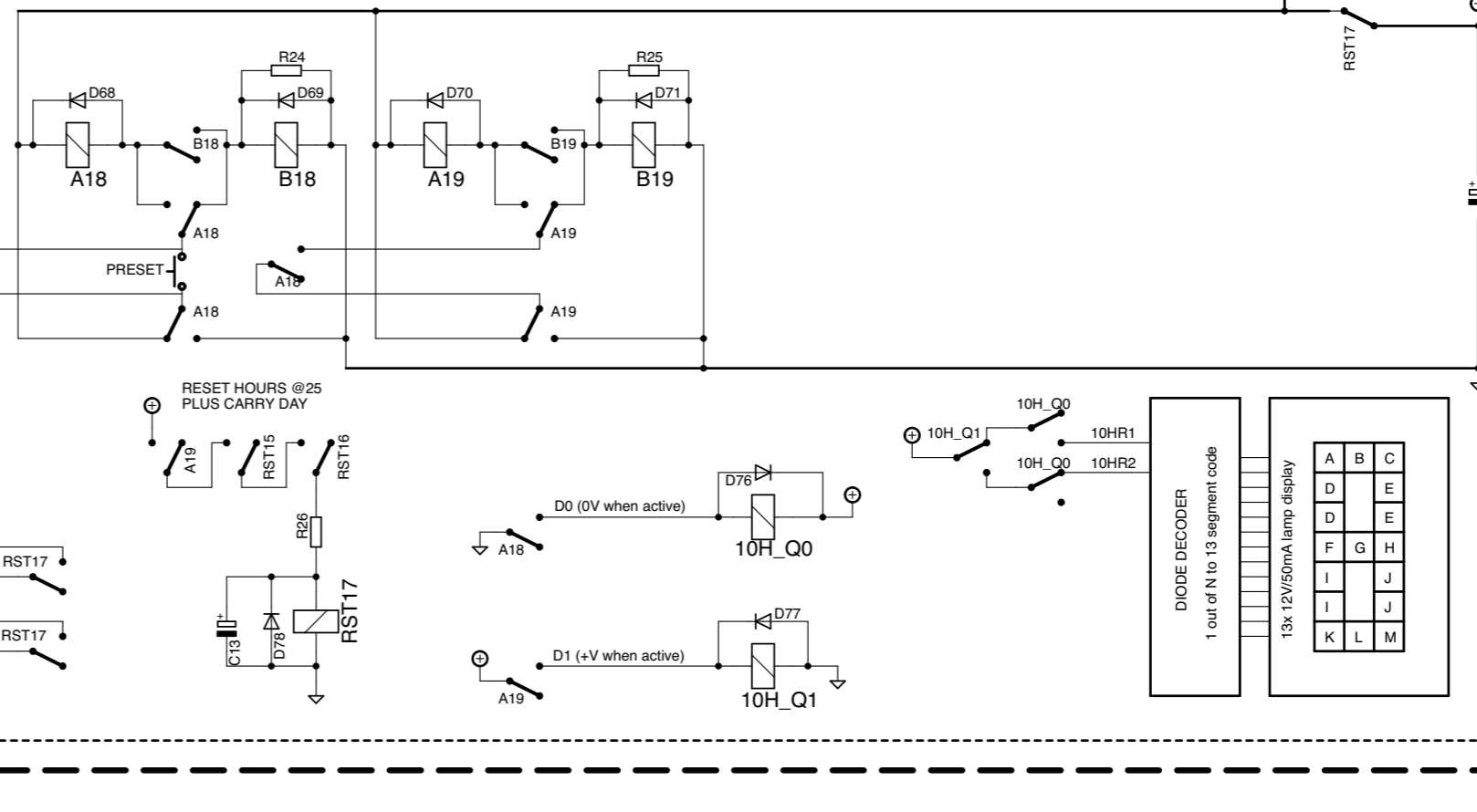
HOURS (ones)



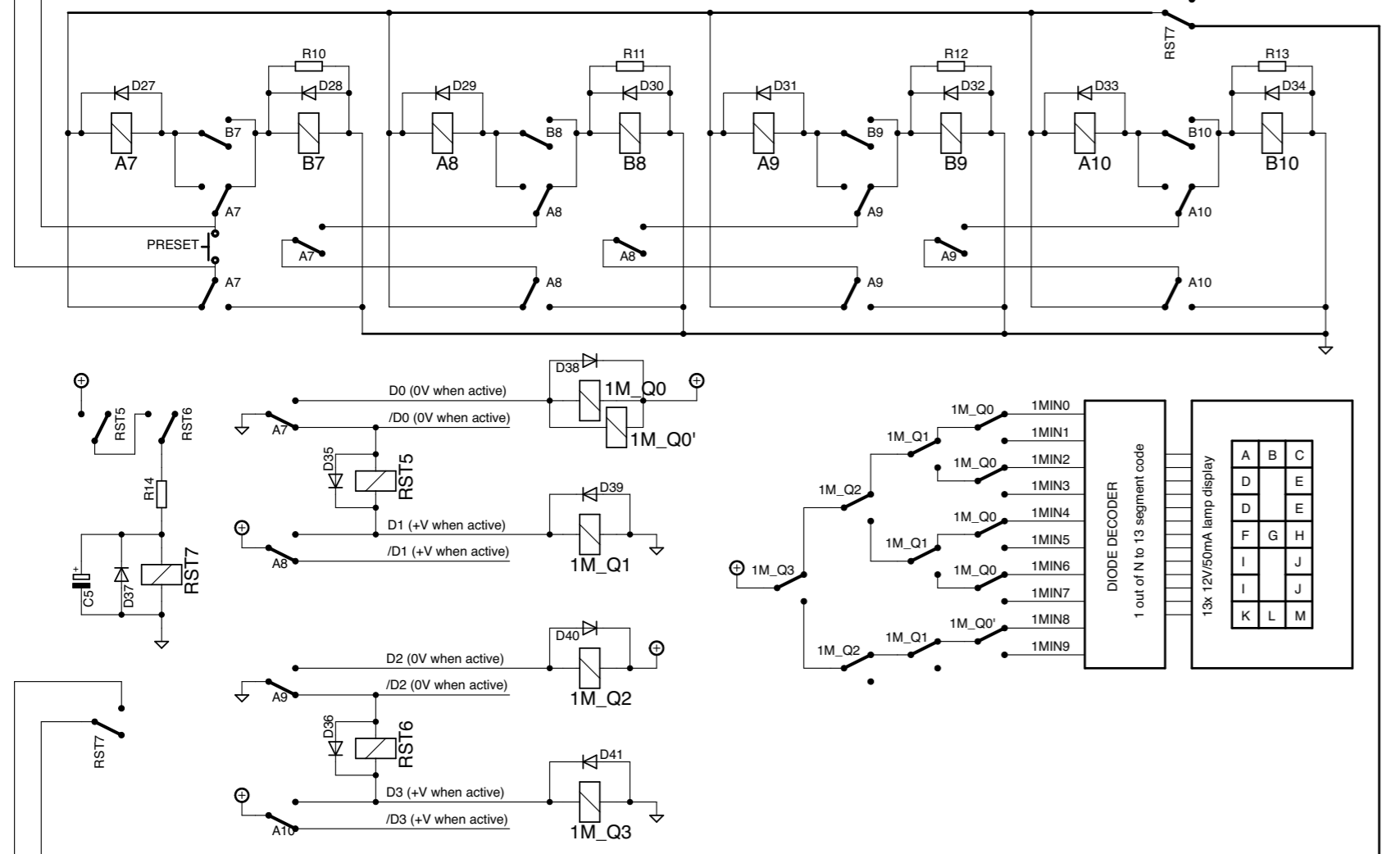
SECONDS (tens)



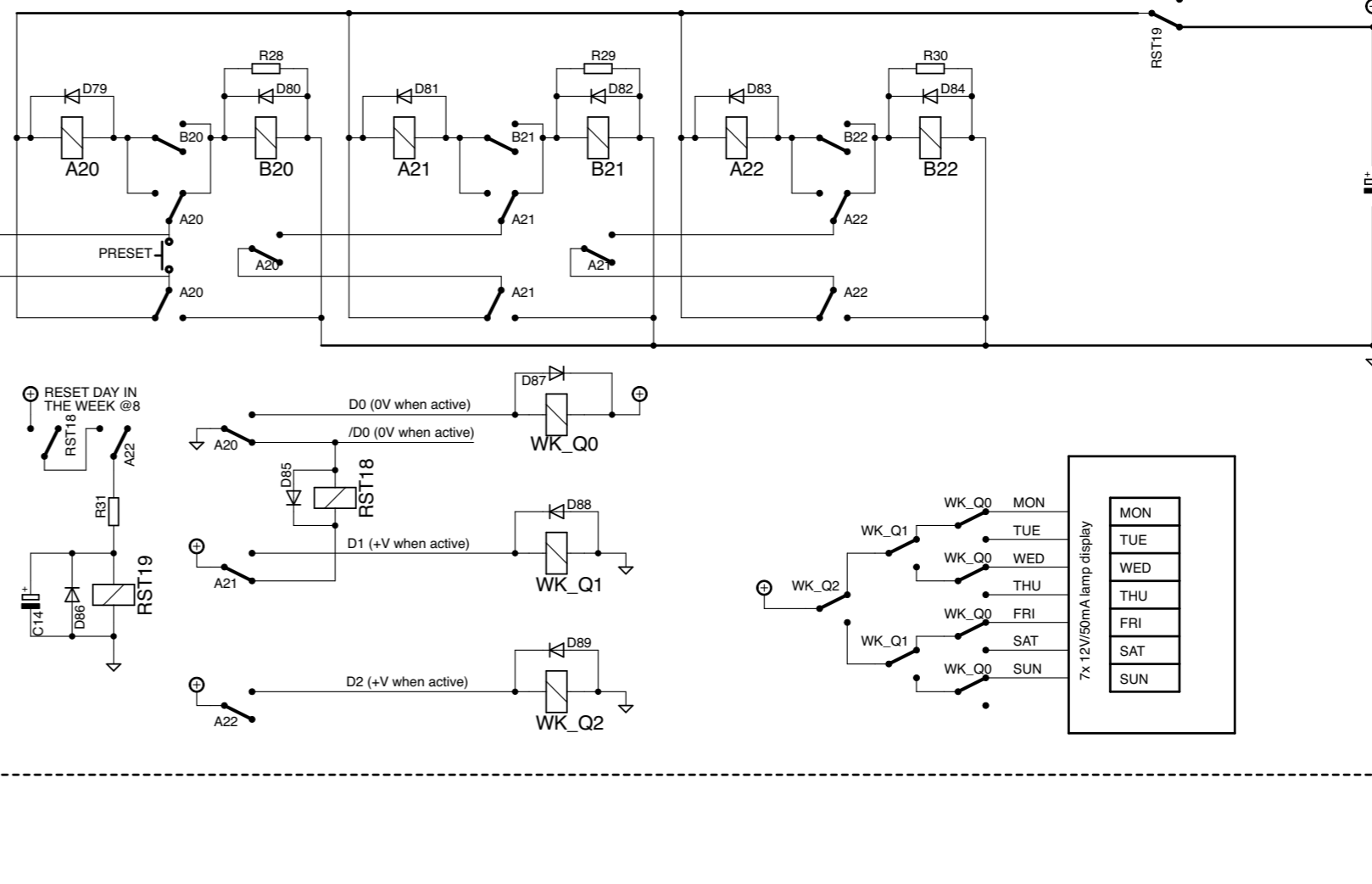
HOURS (tens)



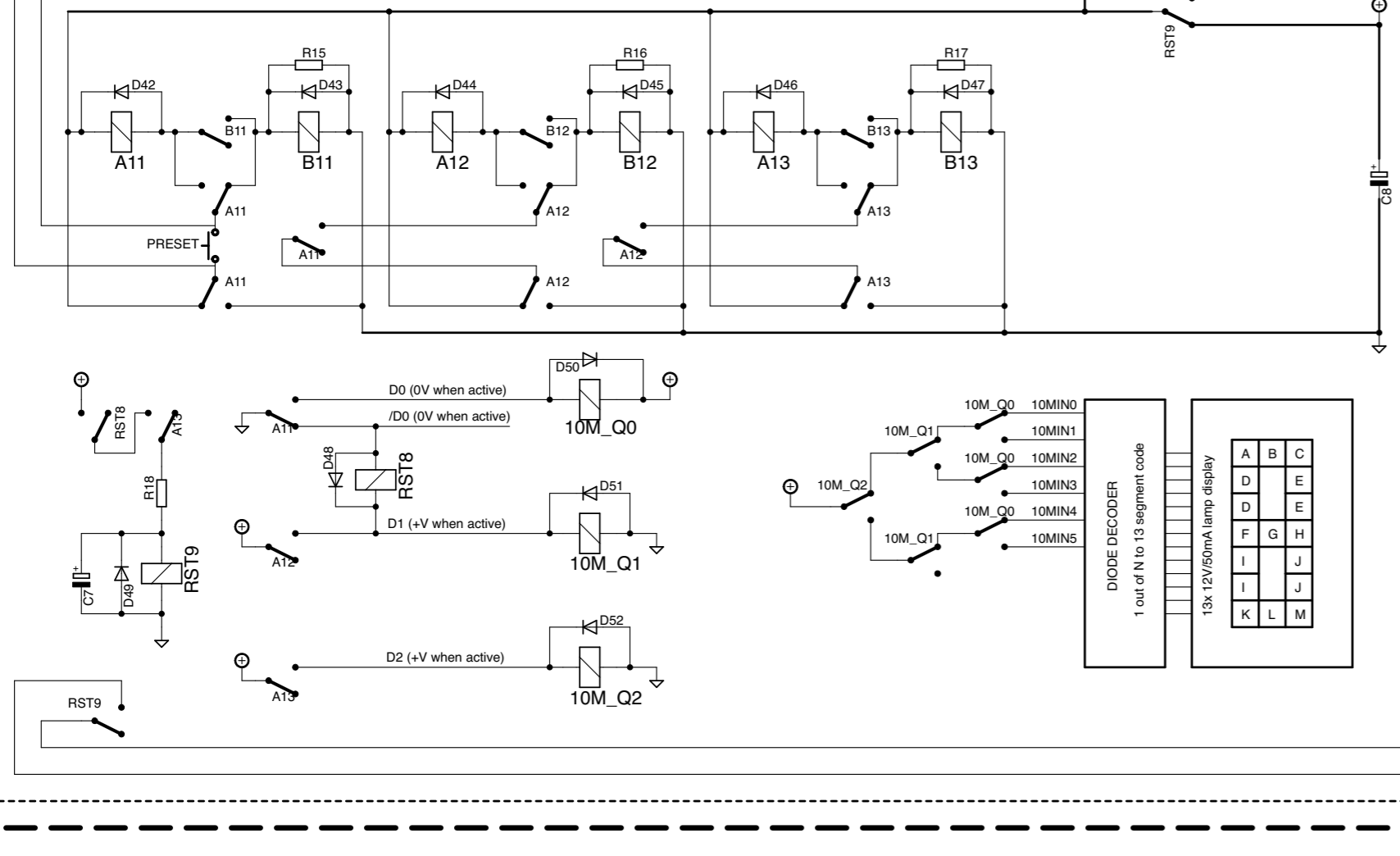
MINUTES (ones)



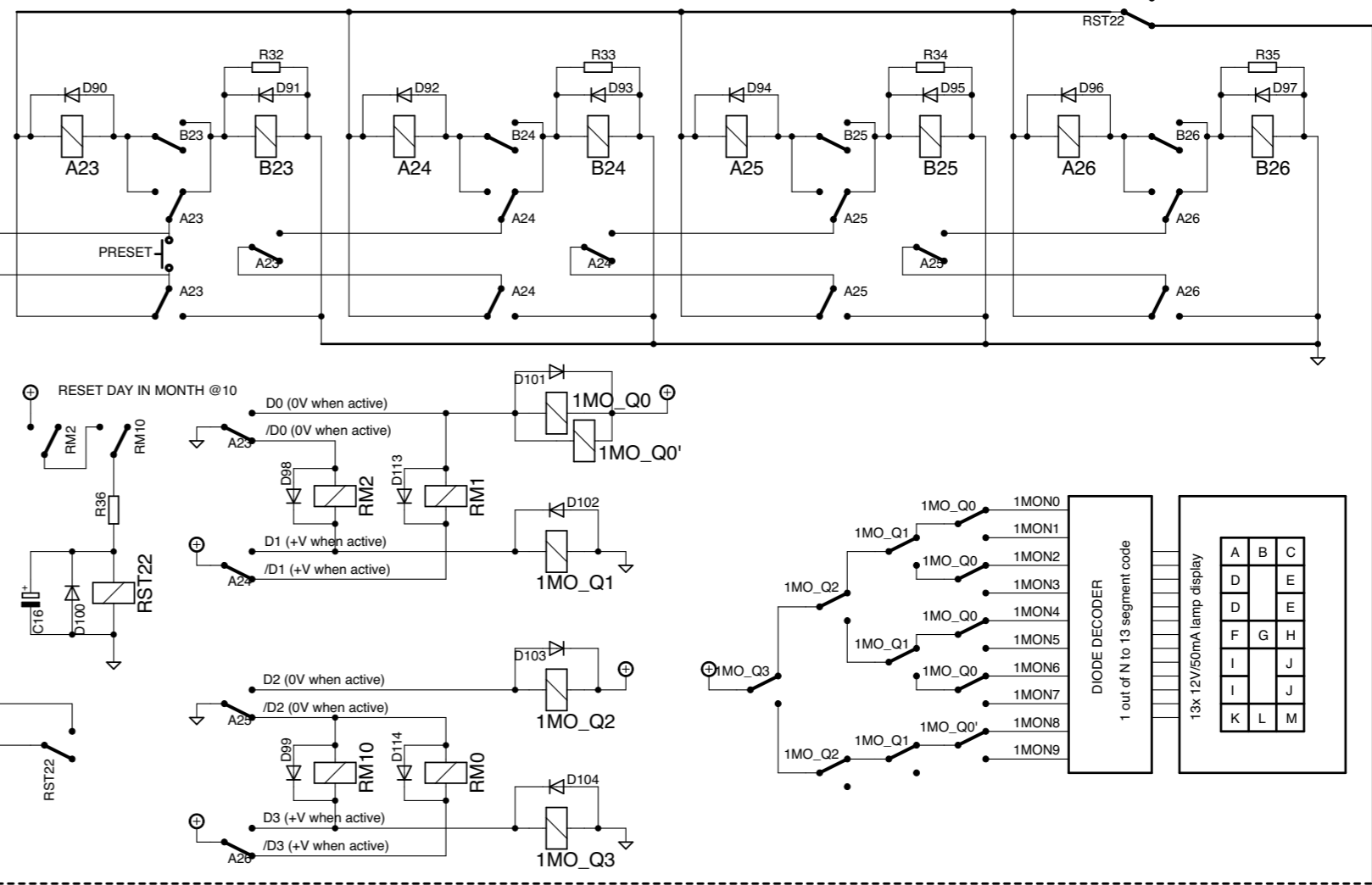
DAY IN THE WEEK



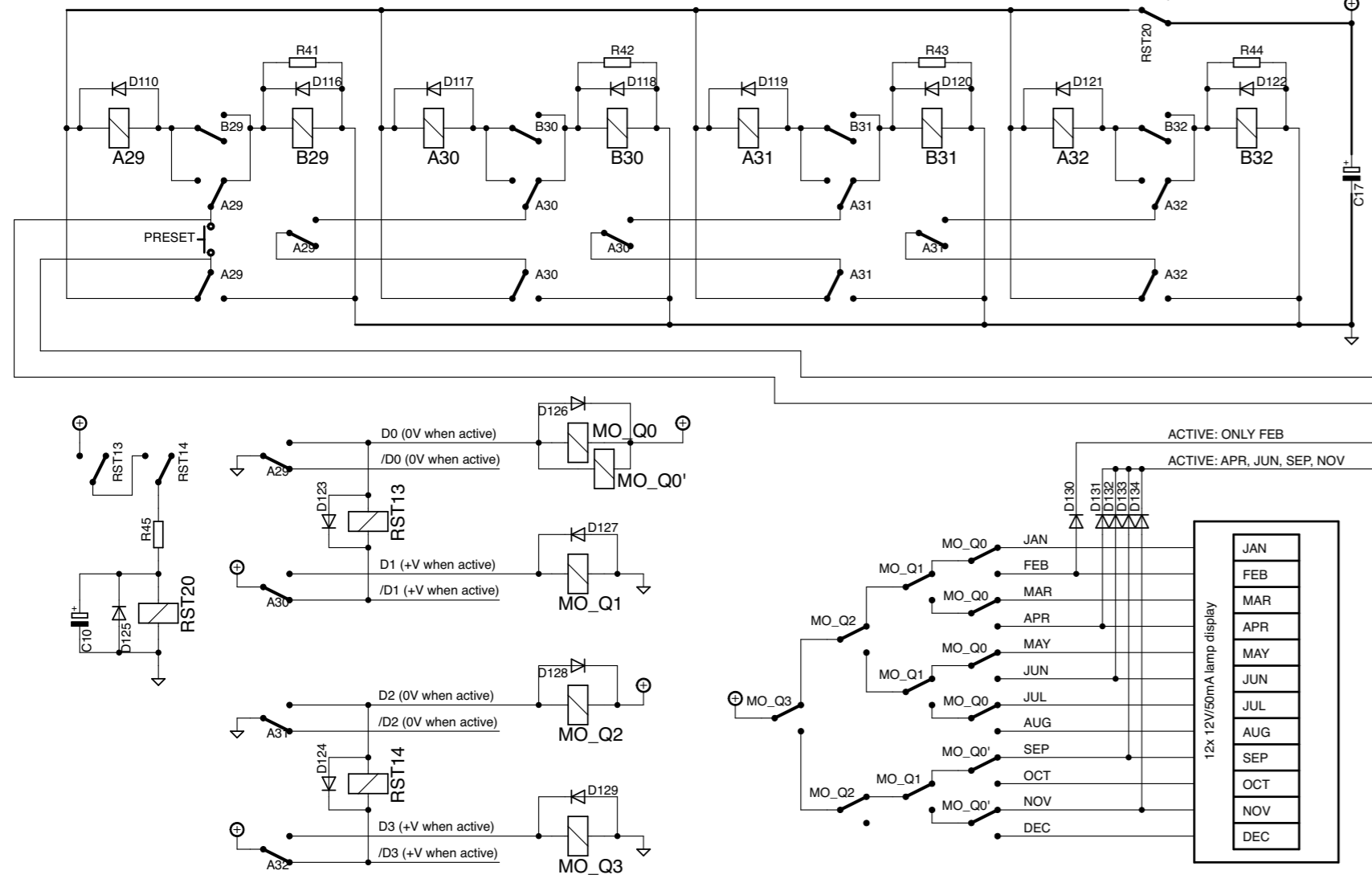
MINUTES (tens)



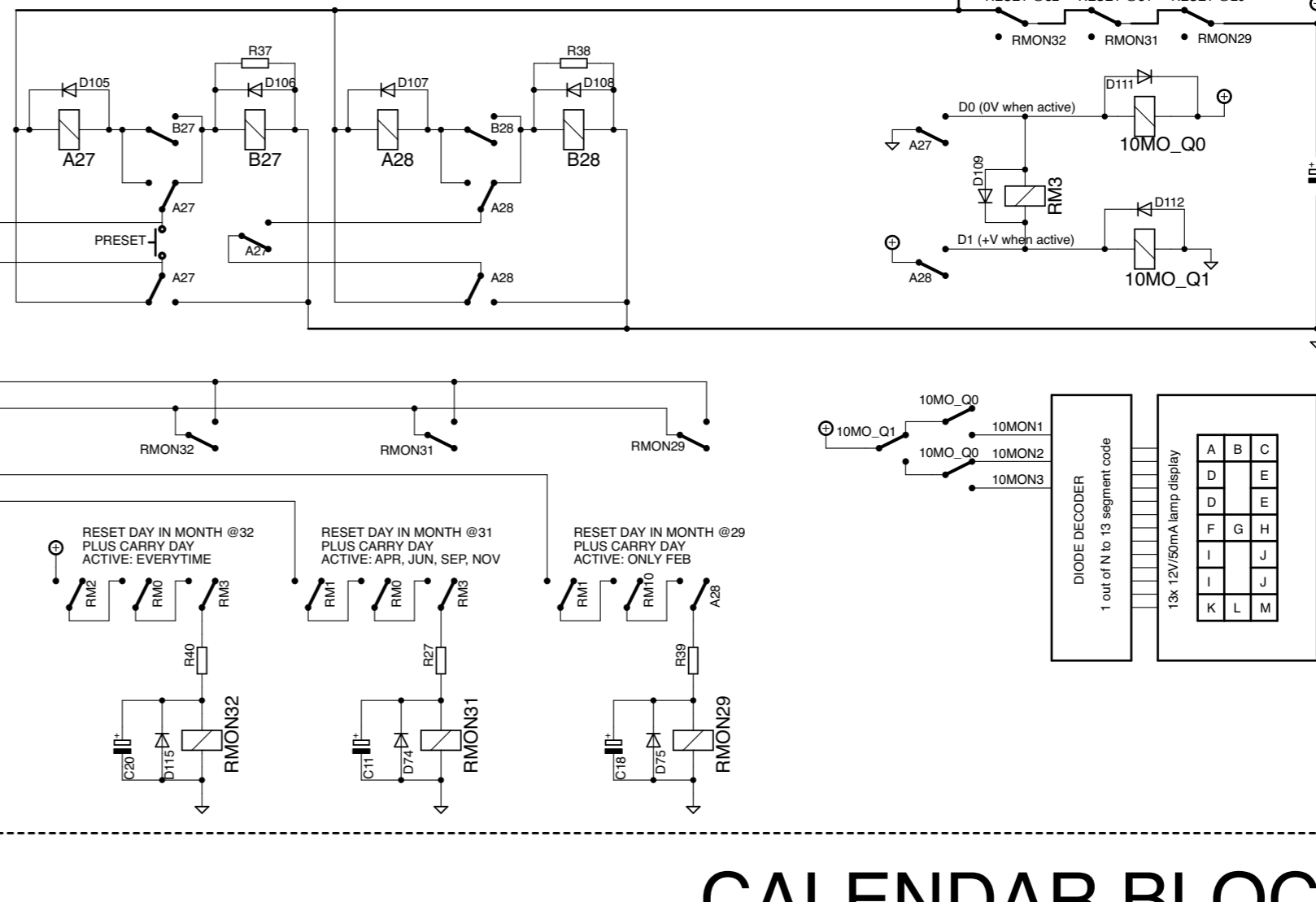
DAY IN THE MONTH (ones)



MONTH



DAY IN THE MONTH (tens)



CALENDAR BLOCK

134 RELAYS
600 DIODES
155 LIGHT BULBS

CLOCK WITH CALENDAR POWERED BY ELECTROMECHANICAL LOGIC

